

R3G355-AM14-61

# EC centrifugal fan

backward curved, single inlet



**ebm-papst Mulfingen GmbH & Co. KG**

Bachmühle 2

D-74673 Mulfingen

Phone +49 7938 81-0

Fax +49 7938 81-110

info1@de.ebmpapst.com

www.ebmpapst.com

## Nominal data

Type	R3G355-AM14-61	
Motor	M3G084-FA	
Phase		1~
Nominal voltage	VAC	230
Nominal voltage range	VAC	200 .. 277
Frequency	Hz	50/60
Type of data definition		rfa
Speed	min <sup>-1</sup>	1900
Power input	W	350
Current draw	A	1.5
Min. ambient temperature	°C	-25
Max. ambient temperature	°C	40

ml = max. load · me = max. efficiency · rfa = running at free air · cs = customer specs · cu = customer unit  
Subject to alterations

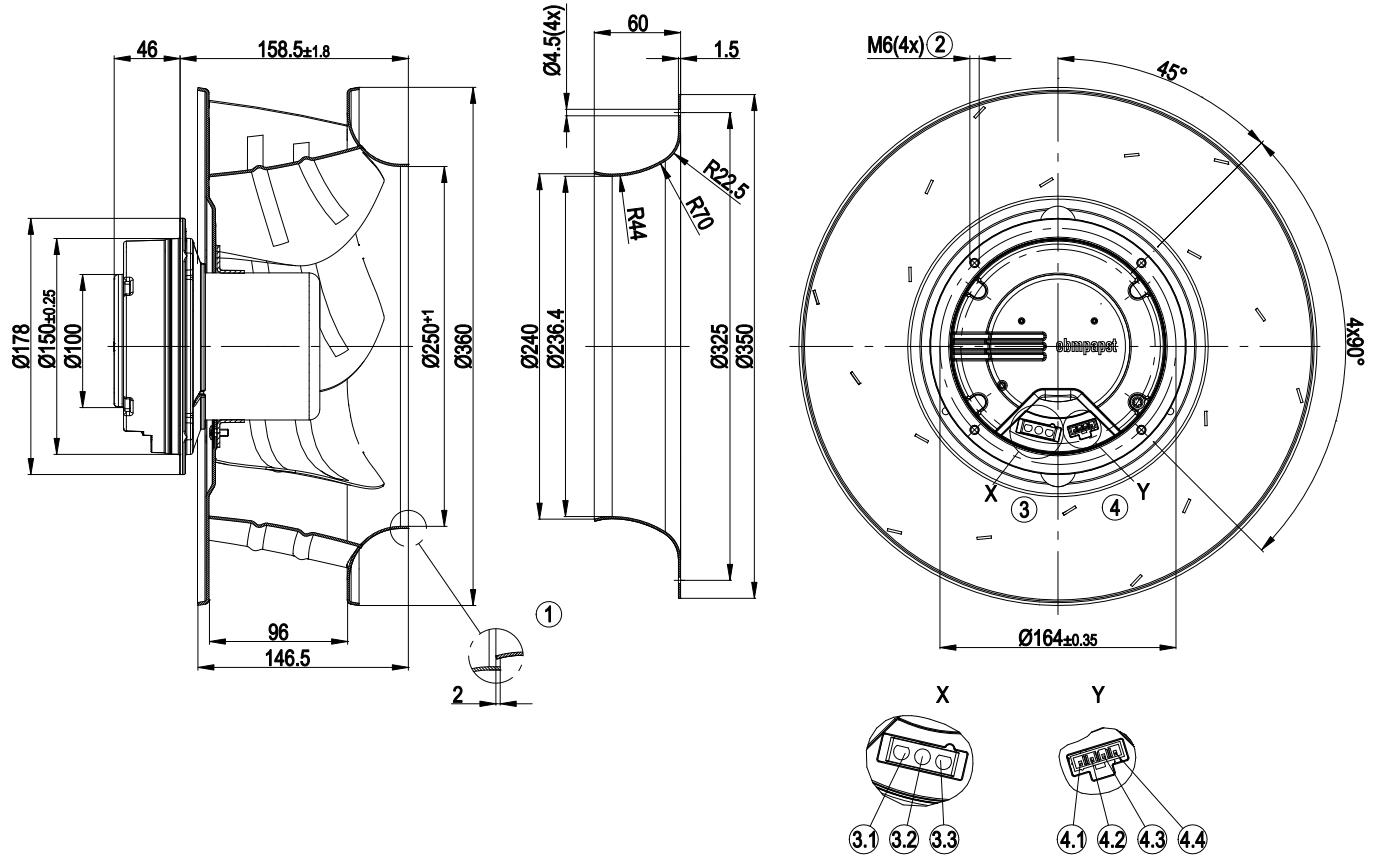
## Technical features

Leakage current	<= 3.5 mA
Size	355 mm
Operation mode	S1
Direction of rotation	Clockwise, seen on rotor
Mounting position	Shaft horizontal or rotor on top; rotor on bottom on request
Electrical leads	With plug
EMC harmonics	Acc. to EN 61000-3-2/3
EMC interference emission	Acc. to EN 61000-6-4 (industrial environment)
EMC interference immunity	Acc. to EN 61000-6-2 (industrial environment)
Humidity class	F0
Insulation class	"B"
Condensate discharge holes	None
Motor bearing	Ball bearing
Mass	5.37 kg
Material of electronics housing	Die-cast aluminium
Material of impeller	Aluminium sheet
Motor protection	Thermal overload protector (TOP) wired internally
Product conforming to standard	EN 61800-5-1
Surface of rotor	Coated in black
Number of blades	6
Type of protection	IP 20
Protection class	I
Technical features	<ul style="list-style-type: none"> <li>- Over-temperature protected electronics / motor</li> <li>- PFC, active</li> <li>- Integrated PID controller</li> <li>- RS485 ebmBUS</li> <li>- Motor current limit</li> <li>- Soft start</li> <li>- Line undervoltage / phase failure detection</li> <li>- Operation and alarm display: reversible voltage output 0 V / +15 V</li> </ul>
Max. permissible ambient motor temp. (transp./ storage)	+80 °C
Min. permissible ambient motor temp. (transp./storage)	-40 °C
Approval	CCC; CSA C22.2 Nr.113; UL 507

# EC centrifugal fan

backward curved, single inlet

## Product drawing

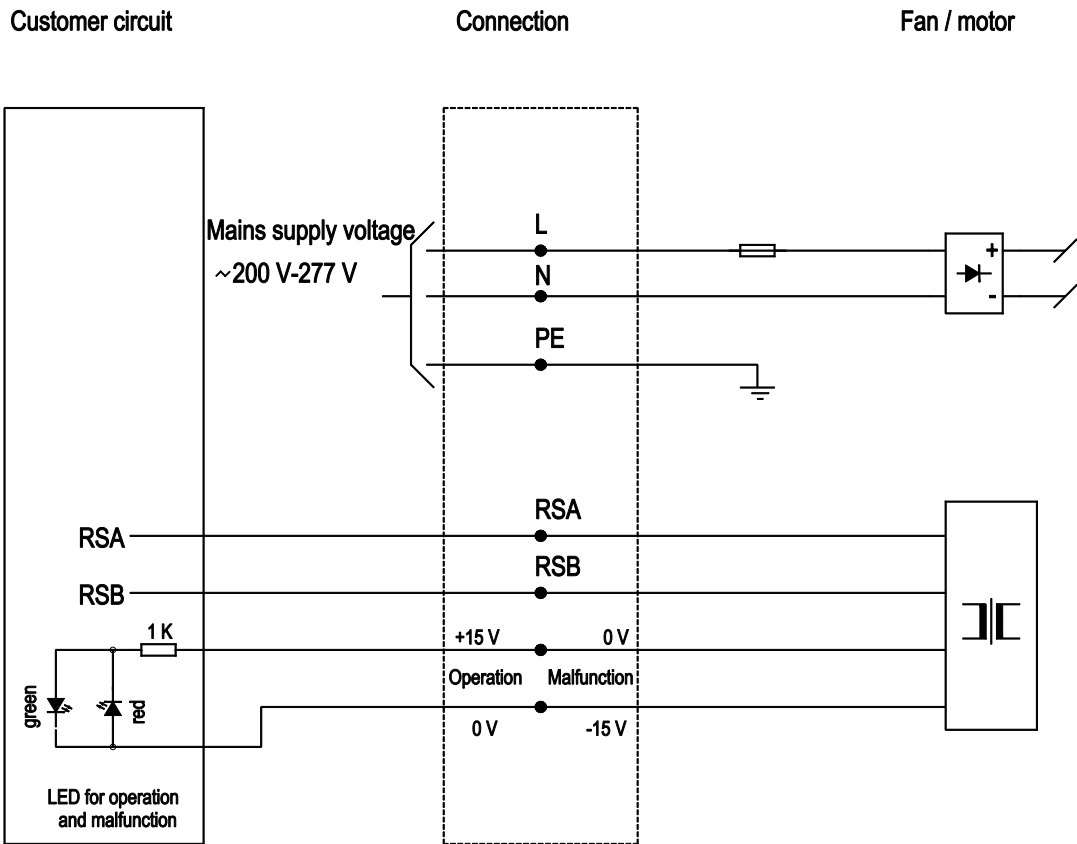


X	Detail X
Y	Detail Y
1	Accessory part: inlet nozzle 35560-2-4013 not included in the standard scope of delivery; other inlet nozzles on request
2	Depth of screw 8 - 10 mm
3	Strip Lonco No. C63502-3A, mating connectors with female terminals are not included in the standard scope of delivery
3.1	PE
3.2	L
3.3	N
4	Strip Molex No. 39-30-2046, mating connectors with female terminals are not included in the standard scope of delivery
4.1	RSB
4.2	RSA
4.3	+15 V; in the event of fault: 0 V
4.4	0 V; in the event of fault: +15 V

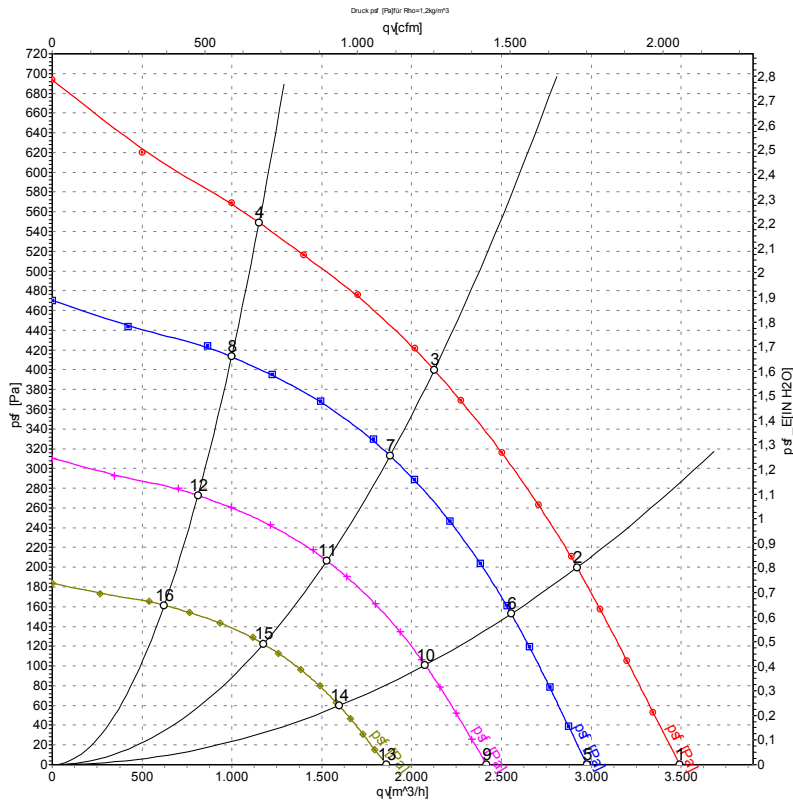
# EC centrifugal fan

backward curved, single inlet

## Connection screen



## Charts: Air flow 50 Hz



Measurement: LU-63219

Air performance measured as per ISO 5801 Installation Category A. For detailed information on the measuring set-up, please contact ebm-papst. Suction-side noise levels: LwA measured as per ISO 13347 / LpA measured with 1m distance to fan axis. The values given are valid under the measuring conditions mentioned above and may vary according to the actual installation situation. With any deviation from the standard set-up, the specific values have to be checked and reviewed with the unit installed.

## Measured values

	U	f	n	P <sub>e</sub>	I	qv	P <sub>sf</sub>
	V	Hz	min <sup>-1</sup>	W	A	m <sup>3</sup> /h	Pa
1	230	50	1900	350	1.50	3500	0
2	230	50	1830	416	1.83	2920	200
3	230	50	1810	446	1.97	2125	400
4	230	50	1845	402	1.77	1150	550
5	230	50	1600	216	0.96	2975	0
6	230	50	1600	278	1.23	2555	153
7	230	50	1600	309	1.36	1880	313
8	230	50	1600	262	1.16	1000	413
9	230	50	1300	116	0.51	2420	0
10	230	50	1300	149	0.66	2075	101
11	230	50	1300	166	0.73	1530	207
12	230	50	1300	141	0.62	810	273
13	230	50	1000	53	0.23	1860	0
14	230	50	1000	68	0.30	1595	60
15	230	50	1000	75	0.33	1175	122
16	230	50	1000	64	0.28	625	162