

EC centrifugal fan

forward-curved, single-intake

with housing (flange)

ebm-papst Mulfingen GmbH & Co. KG

Bachmühle 2 · D-74673 Mulfingen

Phone +49 7938 81-0

Fax +49 7938 81-110

info1@de.ebmpapst.com

www.ebmpapst.com

Limited partnership · Headquarters Mulfingen

Amtsgericht (court of registration) Stuttgart · HRA 590344

General partner Elektrobau Mulfingen GmbH · Headquarters Mulfingen

Amtsgericht (court of registration) Stuttgart · HRB 590142

Nominal data

Type	G3G160-CU09-11	
Motor	M3G055-DF	
Phase		1~
Nominal voltage	VAC	230
Nominal voltage range	VAC	200 .. 240
Frequency	Hz	50/60
Method of obtaining data		ml
Speed (rpm)	min ⁻¹	2100
Power consumption	W	170
Current draw	A	1.35
Min. back pressure	Pa	0
Min. back pressure	inH ₂ O	0
Min. ambient temperature	°C	-25
Max. ambient temperature	°C	50

ml = Max. load · me = Max. efficiency · fa = Free air · cs = Customer specification · ce = Customer equipment
Subject to change

Data according to ErP Directive

		Actual	Req. 2015			
01 Overall efficiency η_{es}	%	46.4	32.1	09 Power consumption P_{ed}	kW	0.13
02 Measurement category		A		09 Air flow q_v	m ³ /h	350
03 Efficiency category		Static		09 Pressure increase p_{fs}	Pa	558
04 Efficiency grade N		58.3	44	10 Speed (rpm) n	min ⁻¹	2730
05 Variable speed drive		Yes		11 Specific ratio*		1.01

Data obtained at optimum efficiency level.

The ErP data is determined using a motor-impeller combination in a standardized measurement setup.

* Specific ratio = $1 + p_s / 100\,000\text{ Pa}$

LU-139319



EC centrifugal fan

forward-curved, single-intake
with housing (flange)

Technical description

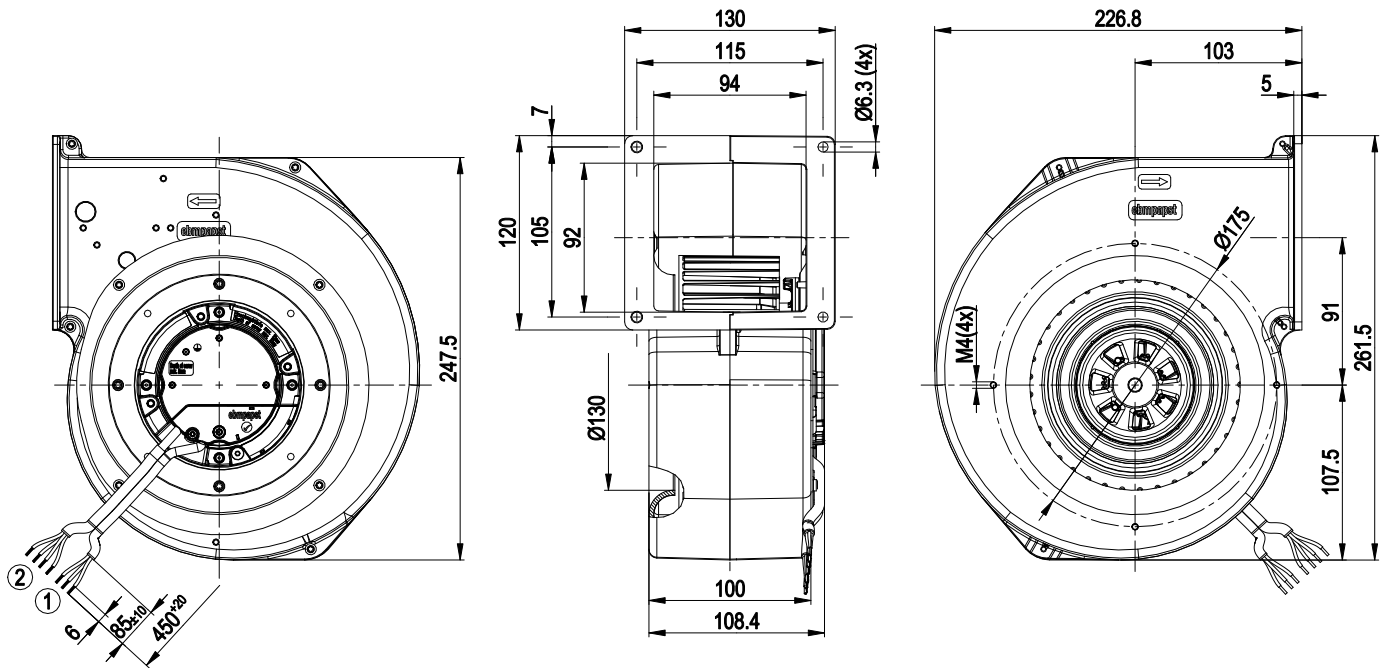
Weight	3 kg
Fan size	160 mm
Rotor surface	Thick-film passivated
Impeller material	PA plastic
Housing material	Die-cast aluminum
Direction of rotation	Clockwise, viewed toward rotor
Degree of protection	IP54
Insulation class	"B"
Max. permitted ambient temp. for motor (transport/storage)	+ 80 °C
Min. permitted ambient temp. for motor (transport/storage)	- 40 °C
Installation position	Any
Condensation drainage holes	None, open rotor
Mode	S1
Motor bearing	Ball bearing
Technical features	<ul style="list-style-type: none"> - Output 10 VDC, max. 10 mA - Tach output - Power limiter - Motor current limitation - Soft start - Control input 0-10 VDC / PWM - Control interface with SELV potential safely disconnected from the mains - Overvoltage detection - Thermal overload protection for electronics/motor - Line undervoltage detection
EMC immunity to interference	According to EN 61000-6-2 (industrial environment)
EMC interference emission	According to EN 61000-6-4 (industrial environment)
Touch current according to IEC 60990 (measuring circuit Fig. 4, TN system)	<= 3.5 mA
Motor protection	Locked-rotor protection
With cable	Variable
Protection class	I (with customer connection of protective earth)
Conformity with standards	EN 60335-1; CE
Approval	CSA C22.2 No. 77; UL 2111; EAC; CCC



EC centrifugal fan

forward-curved, single-intake
with housing (flange)

Product drawing

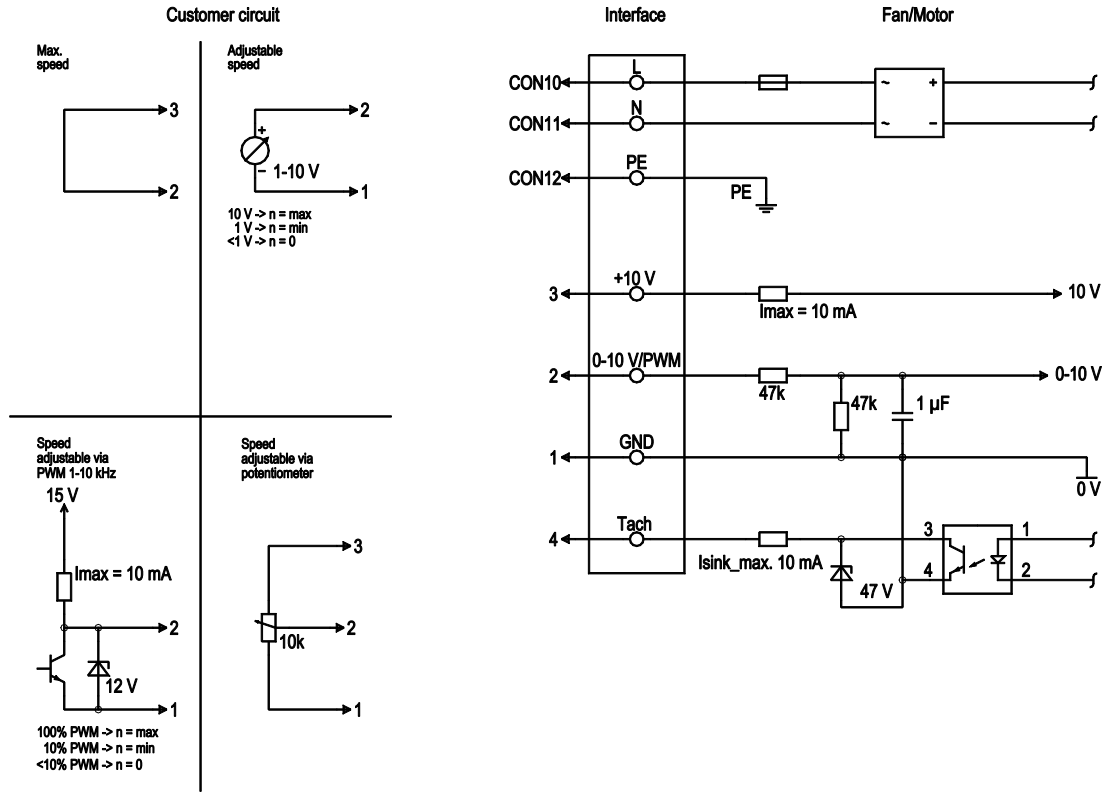


- | | |
|---|-------------------------------------|
| 1 | Cable PVC AWG20, 3x crimped splices |
| 2 | Cable PVC AWG22, 4x crimped splices |

EC centrifugal fan

forward-curved, single-intake
with housing (flange)

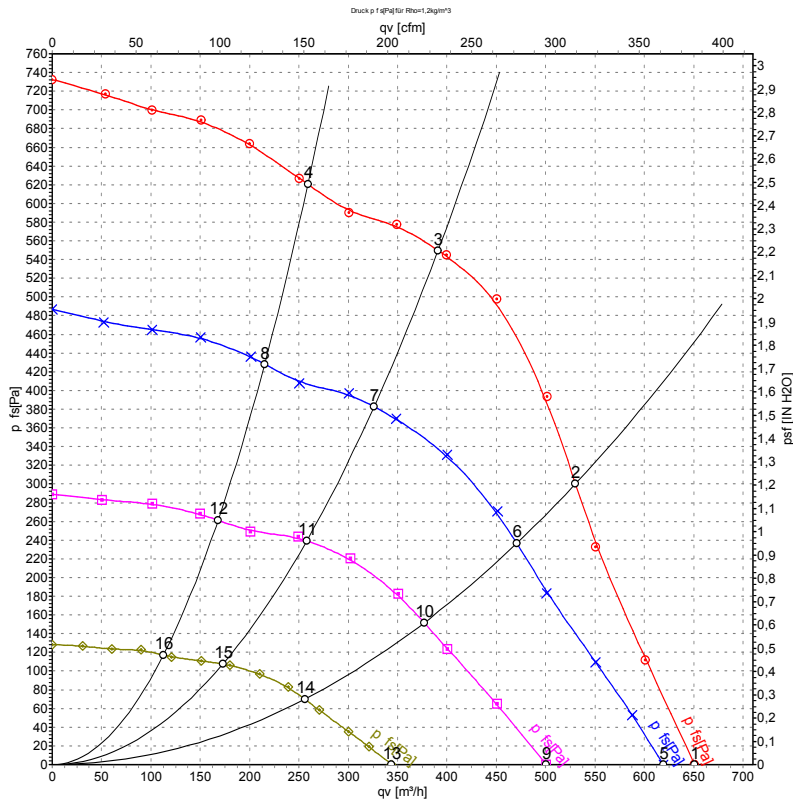
Connection diagram



No.	Conn.	Designation	Color	Function/assignment
	CON10	L	black	Supply connection, power supply, phase, see nameplate for voltage range
	CON11	N	blue	Supply connection, power supply, neutral conductor, see nameplate for voltage range
	CON12	PE	green/yellow	Ground connection
	2	0- 10V PWM	yellow	0-10 V / PWM control input, R _i =100 kΩ, SELV
	4	Tach	white	Tach output, open collector, 1 pulse per revolution, I _{sink max} = 10 mA, SELV
	3	+10 V	red	Fixed voltage output 10 VDC +/-3 %, I _{max} . 10 mA, short-circuit-proof, power supply for ext. devices (e.g. pot), SELV
	1	GND	blue	Reference ground for control interface, SELV



Curves: Air performance 50 Hz



Measurement: LU-139319-1
 Measurement: LU-139320-1
 Measurement: LU-139321-1
 Measurement: LU-139322-1

Air performance measured according to ISO 5801 installation category A. For detailed information on the measurement setup, contact ebmpapst. Intake sound level: Sound power level according to ISO 13347 / sound pressure level measured at 1 m distance from fan axis. The values given are valid under the specified measuring conditions and may vary due to conditions of installation. For deviations from the standard configuration, the parameters have to be checked on the installed unit.

Measured values

	U	f	n	P _{ed}	I	q _v	P _{fs}	q _v	P _{fs}
	V	Hz	min ⁻¹	W	A	m ³ /h	Pa	cfm	inH2O
1	230	50	2100	170	1.35	650	0	385	0.00
2	230	50	2380	163	1.31	530	300	310	1.20
3	230	50	2680	144	1.18	390	550	230	2.21
4	230	50	2815	112	0.91	260	620	150	2.49
5	230	50	1985	144	1.17	620	0	365	0.00
6	230	50	2125	114	0.94	470	237	275	0.95
7	230	50	2260	86	0.73	325	383	190	1.54
8	230	50	2355	67	0.56	215	428	125	1.72
9	230	50	1625	77	0.64	500	0	295	0.00
10	230	50	1715	61	0.52	375	152	220	0.61
11	230	50	1795	45	0.39	260	240	150	0.96
12	230	50	1850	34	0.30	170	261	100	1.05
13	230	50	1130	27	0.24	345	0	200	0.00
14	230	50	1175	22	0.20	255	70	150	0.28
15	230	50	1220	17	0.16	175	108	100	0.43
16	230	50	1250	14	0.14	115	117	65	0.47

U = Power supply · f = Frequency · n = Speed (rpm) · P_{ed} = Power consumption · I = Current draw · q_v = Air flow · P_{fs} = Pressure increase

